

Automatic Pizza Crust Docker

Specifications

- *Voltage: 115/1/60
- *Amps: 15
- *1/10 Horsepower motor
- *Length: 33"
- *Width: 28"
- *Height: 17" to 19"
- *Docking Width: 20"
- *Conveyor Height: 12" to 14"
- *Machine Weight: 185 lbs

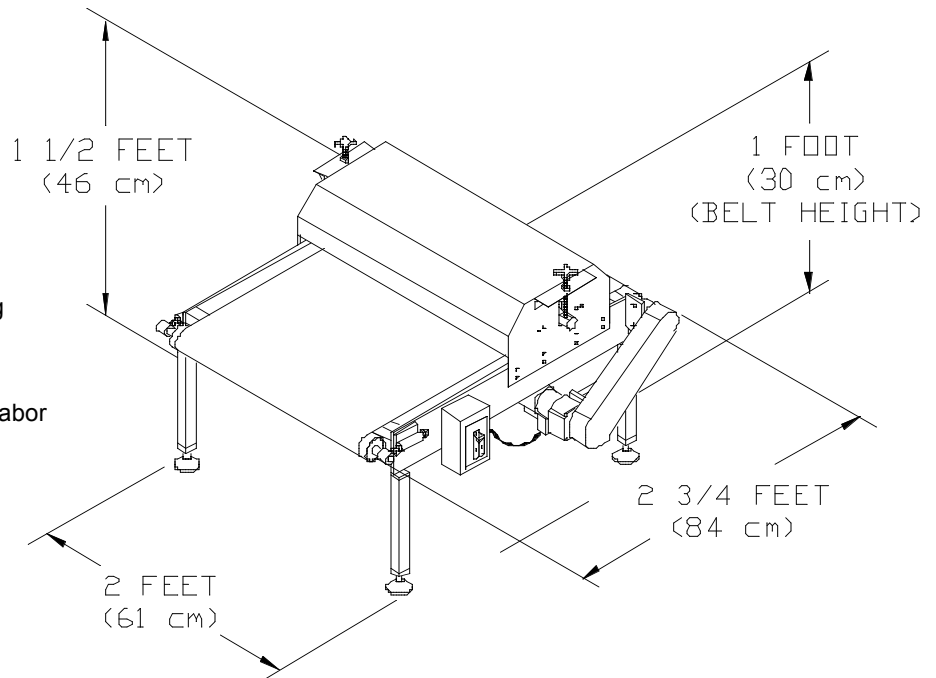
Features

- *Easy clean-up
- *Stainless-steel construction
- *Polyethylene stripping fingers prevent sticking
- *Full 20-inch wide belt surface
- *Optional variable speed motor
- *Fully adjustable height
- *One year limited warranty on parts / 90 days labor
- *Made in the U.S.A.

Electrical Requirements

Please Call an AM Representative for Requirements

Table Top Dock It



14151 Irving Avenue Dolton, IL. 60419
 Phone: (708) 841-0959 or (800) 342-6744 Fax: (708) 841-0975