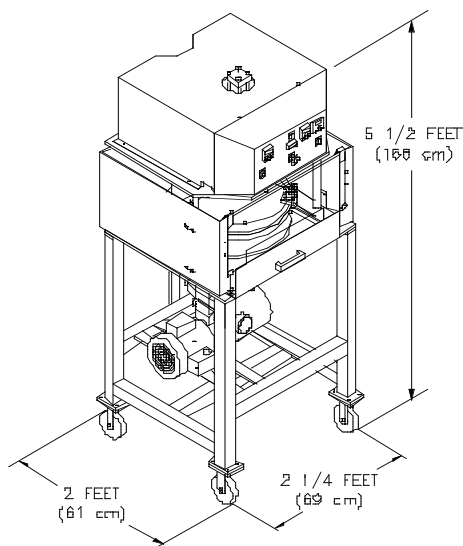


## Specifications

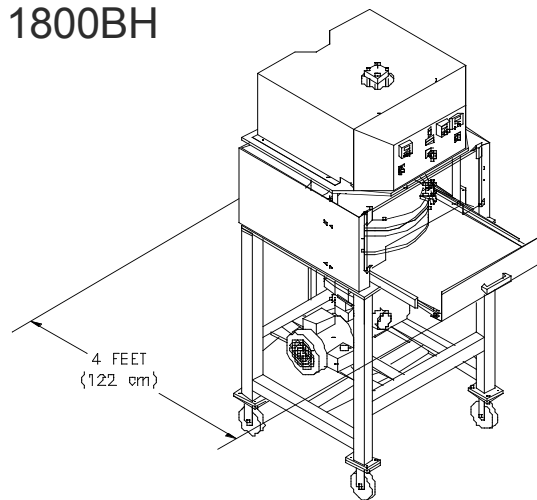
* Depth	23 1/4" / 59cm
* Width	23 1/4" / 59cm
* Height	32 1/4" / 82cm
* Crust Size Range	6" to 18"
* Press Force	Fully adjustable
* Press Time	Fully adjustable
* Temperature Range	Ambient - 450° F (232C)

## Features

- \* Consistent size and quality every time due to structural and die design
- \* Easy one person operation
- \* Easy clean up: No tools required
- \* Fully adjustable heat
- \* Fully adjustable head pressure
- \* Fully adjustable dwell time
- \* Produces flat, rim style, self rising, thin, or thick crusts with a die
- \* Dies available to press into pans
- \* Crust sizes from 6" to 18" (Dies sold separately)
- \* Solid State time and temperature controls
- \* Replaces dough rollers and sheeters
- \* Eliminates hand stretching, trimming, and scrap
- \* 3 post design eliminates flexing
- \* One year limited warranty on parts



LT 1800BH



## Electrical Requirements

- \* 208-230 volt single phase 30 amps
- \* Other voltages optional



14151 Irving Avenue Dolton, IL. 60419  
 Phone: (708) 841-0959 or (800) 342-6744 Fax: (708) 841-0975