

# Automatic Pizza Crust Docker

## Specifications

* Conveyor height	34" - 36" / 88cm - 91cm (adjustable)
* Length	54" / 145cm
* Width	48" / 85cm (model 48)
* Height	42 1/2" / 106cm
* Docking width	48" / 80cm (model 48)
* Conveyor Speed	Variable
* Shipping Weight	350lbs. / 158kg.

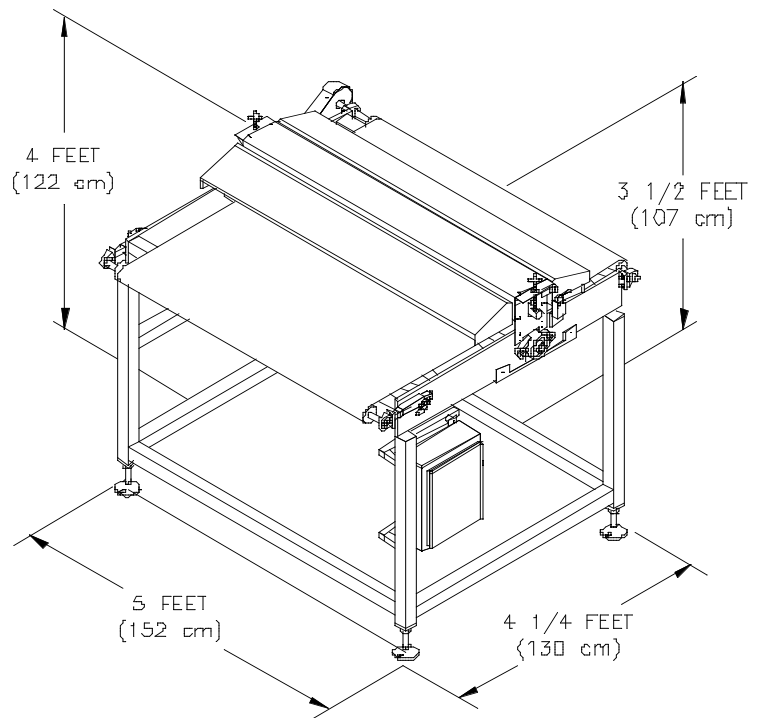
## Features

- \* Stainless steel construction
- \* Made in the U.S.A.
- \* Approved by the United States Department of Agriculture
- \* One year limited warranty on parts
- \* Easy clean up
- \* Polyethylene stripping fingers prevent sticking
- \* Adjustable height
- \* Variable speed
- \* Full 24", 32" or 48" wide belt surface (depending on model)

## Electrical Requirements

- \* 208-230 volt / Three phase / 60 Hz
- \* 10 amps
- \* Custom voltage available, contact us for details.

## 48" Dock it



14151 Irving Avenue Dolton, IL. 60419  
 Phone: (708) 841-0959 or (800) 342-6744 Fax: (708) 841-0975