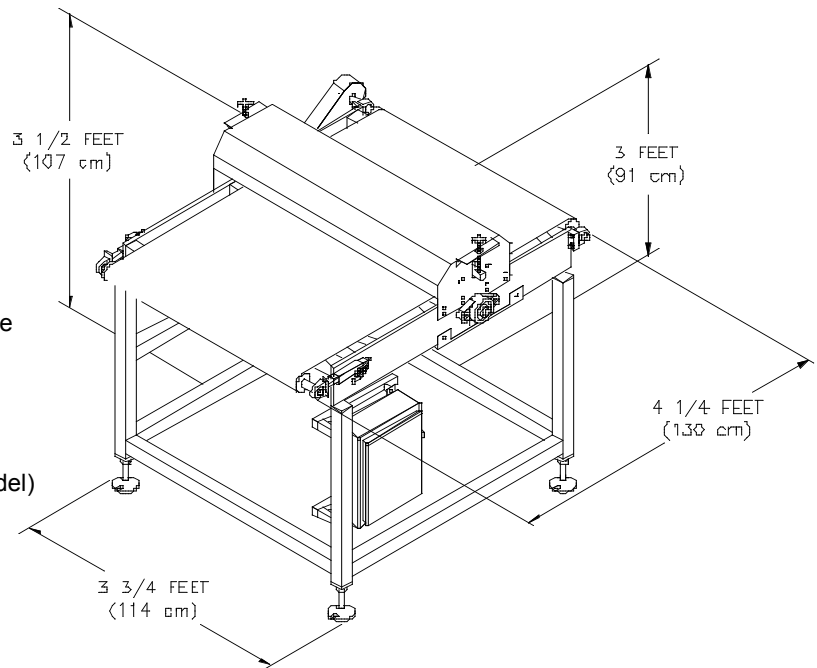


Automatic Pizza Crust Docker

Specifications

* Conveyor height	34" - 36" / 88cm - 91cm (adjustable)
* Length	54" / 145cm
* Width	34" / 85cm (model 32)
* Height	42 1/2" / 106cm
* Docking width	32" / 80cm (model 32)
* Conveyor Speed	Variable
* Shipping Weight	350lbs. / 158kg.

32" Dock it



Features

- * Stainless steel construction
- * Made in the U.S.A.
- * Approved by the United States Department of Agriculture
- * One year limited warranty on parts
- * Easy clean up
- * Polyethylene stripping fingers prevent sticking
- * Adjustable height
- * Variable speed
- * Full 24", 32" or 48" wide belt surface (depending on model)

Electrical Requirements

- * 208-230 volt / Three phase / 60 Hz
- * 10 amps
- * Custom voltage available, contact us for details.



14151 Irving Avenue Dolton, IL. 60419
 Phone: (708) 841-0959 or (800) 342-6744 Fax: (708) 841-0975